

# Installation Guide

## Please contact AFA first

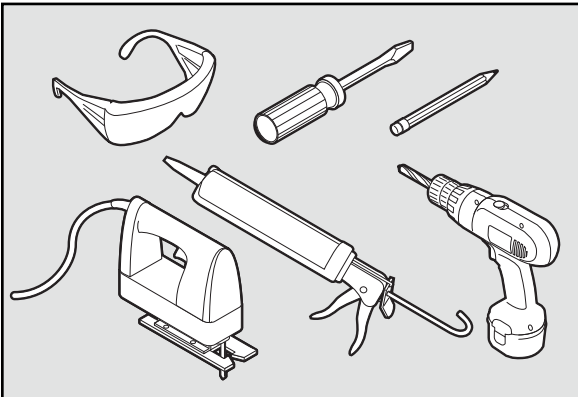
For Installation Help, Missing or Replacement Parts

Phone: (949)477-4195

Fax: (949)477-4196

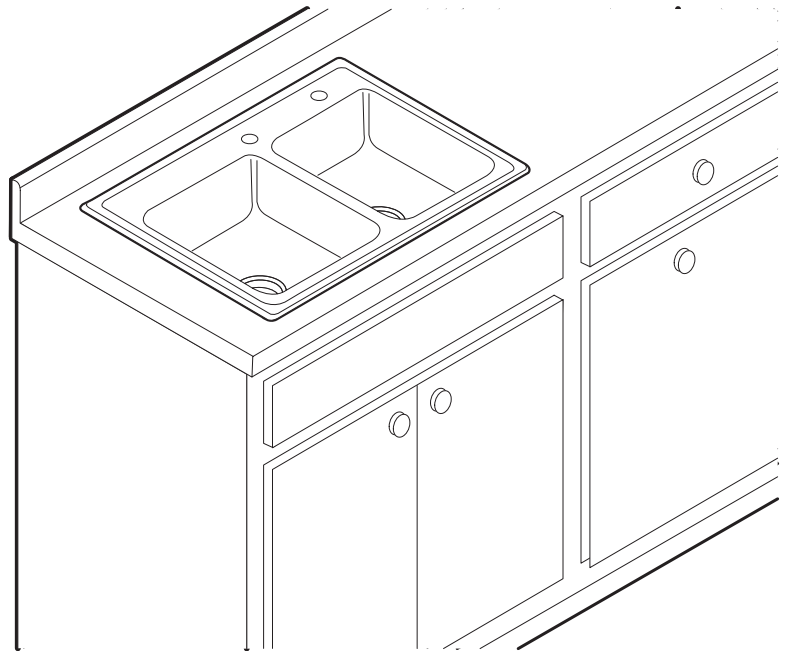
Email: [customer.service@afastainless.com](mailto:customer.service@afastainless.com)

AFA USA LLC



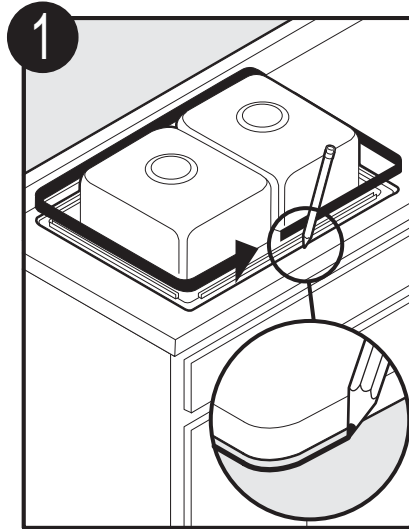
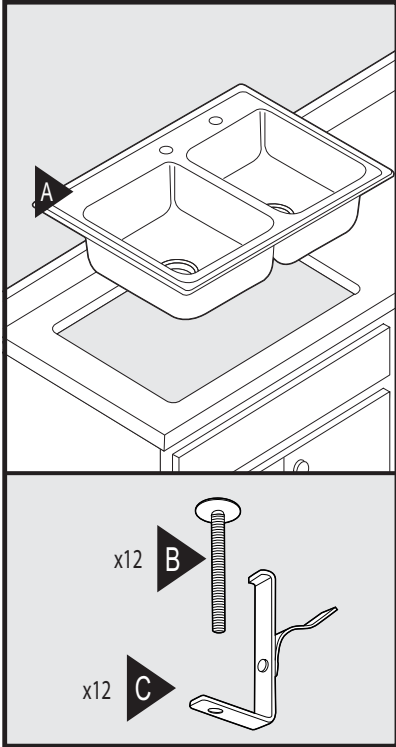
## HELPFUL TOOLS

For safety and ease of faucet replacement, AFA recommends the use of these helpful tools.

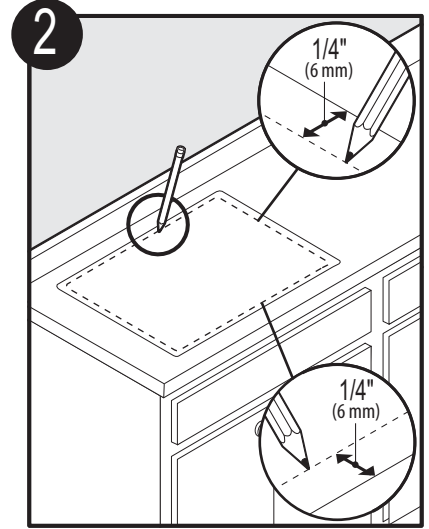


## STAINLESS STEEL DROP-IN SINKS

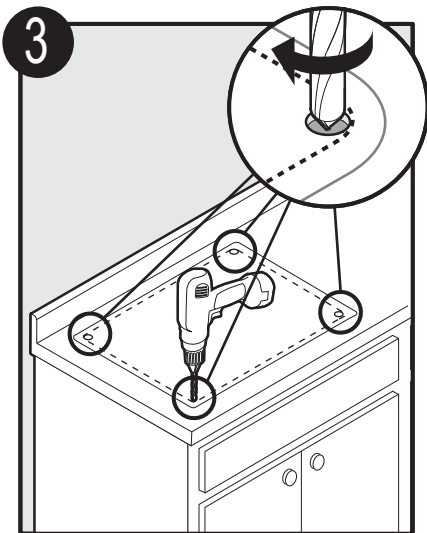
AFA DROP IN SINKS INCLUDE AFA'S CHANNEL MOUNTING SYSTEM



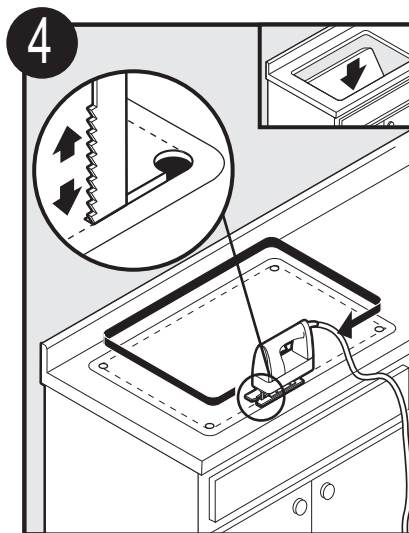
Position sink upside down on counter and trace outline.



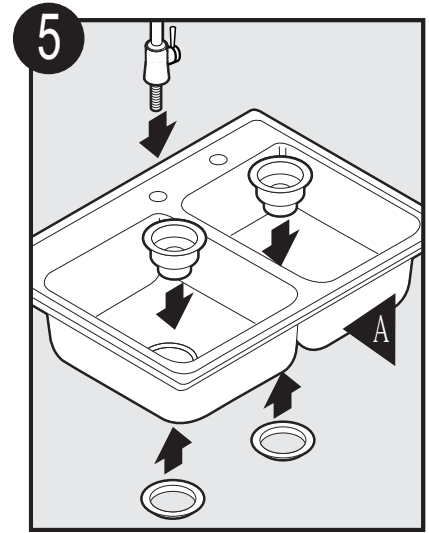
Draw cut line 1/4" inside the sink outline.



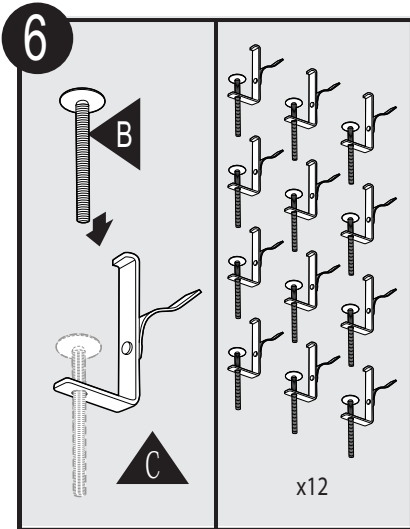
Drill pilot holes on cut line.



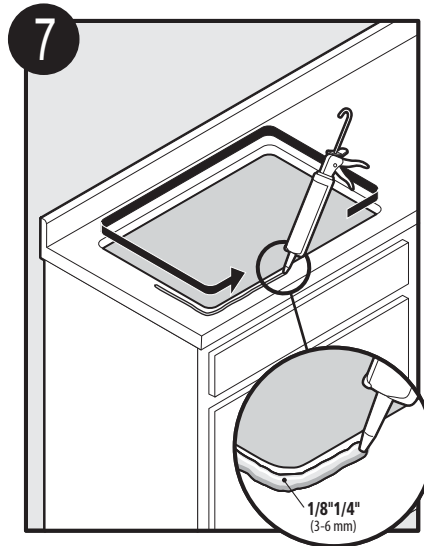
Carefully cut counter hole following inside of the cut line. Remove counter material.



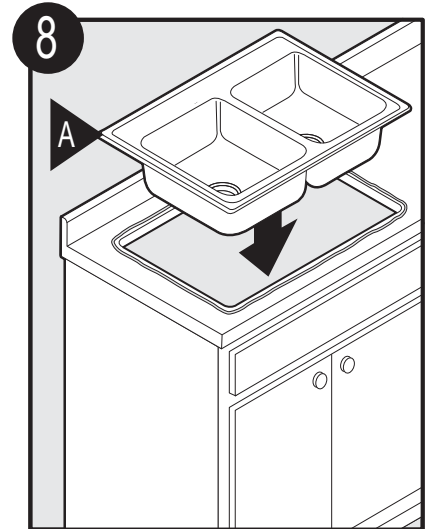
Install faucet and drain fittings and accessories according to manufacturer's instructions.



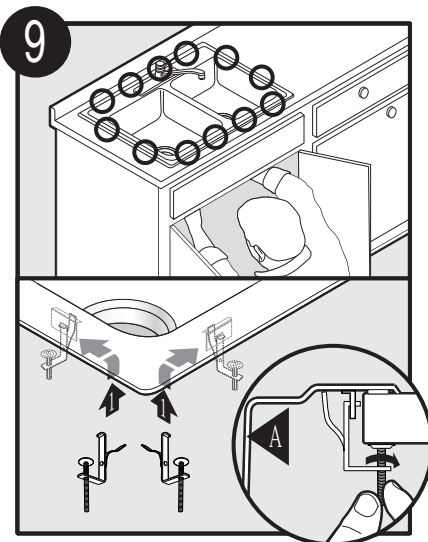
Ready installation clip by partially threading screws into clip.



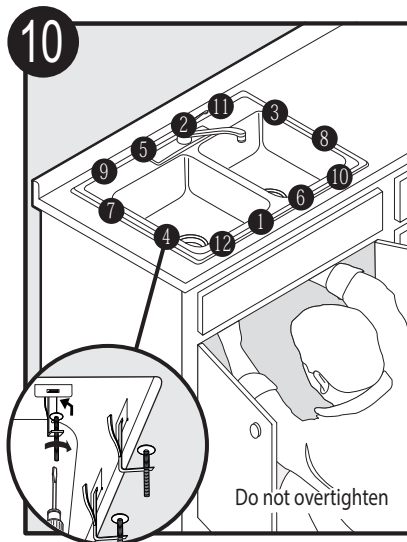
Apply a bead of caulk 1/8"-1/4" away from edge of counter cutout.



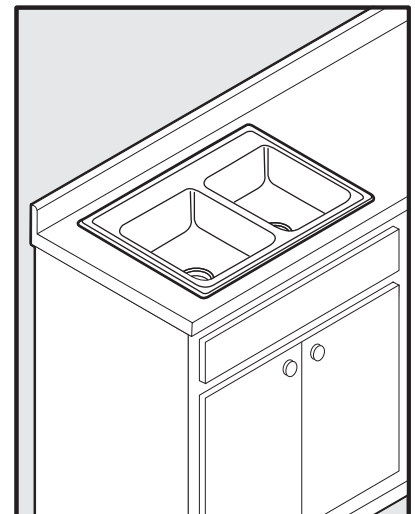
Center sink within counter opening. Apply even pressure to all sides. Wipe away any excess caulk on counter.



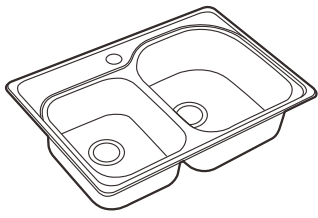
On underside of counter slide clips onto mounting rail centering brackets along each side, 12 brackets recommended.



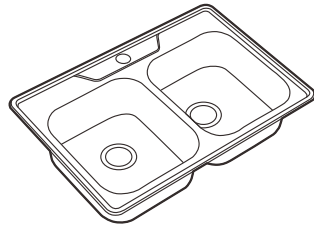
Tighten installation screws in order as shown above.



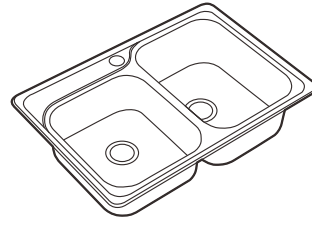
Connect faucet and drain fittings.



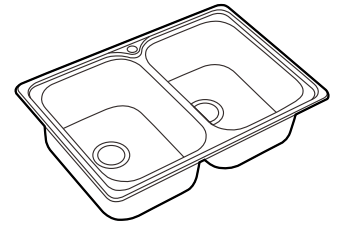
AFUR3322TR



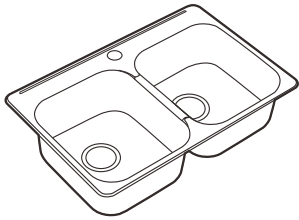
AFUR3322TE



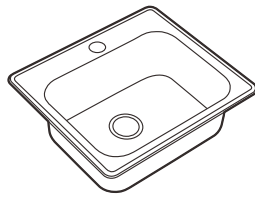
AFUR3322TRE



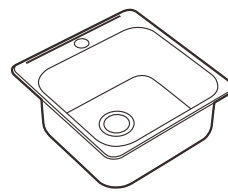
AFUR3322TEB



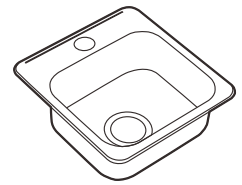
AFUR3121TE



AFUR2522TS



AFUR2021TS



AFUR1515TS