

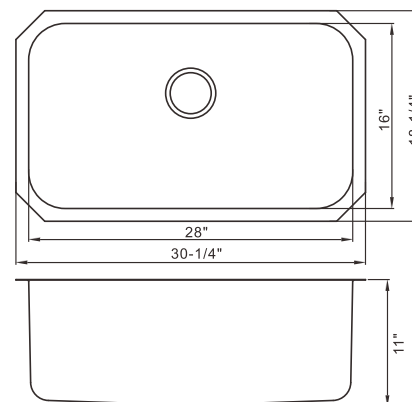
AFUR3018US

UNDERMOUNT SINGLE BOWL SINKS



Specifications

Item number	AFUR3018US
Material	Stainless steel 304
Sink Mount Type	under-mount
Bowl Configuration	single
Number of bowls	1
Sink Gauge	18
Manufacturer Color/Finish	stainless steel brushed finish
Minimum Cabinet Size (Inches)	35"
Number of Faucet Holes	None(customizable)
Width (Inches)	18-1/4"
Length (Inches)	30-1/4"
Depth of Bowl 1 (Inches)	11"
Depth of Bowl 2 (Inches)	None
Depth of Bowl 3 (Inches)	None
Heat Resistance in Degrees F	600+
Cutout Below Counter Height	11"
Cutout Width (Inches)	16"
Cutout Length (Inches)	28"
Noise Insulation	Yes
Includes Mounting Hardware	Yes
Includes Drain	No
Drain Location	offset
CUPC Safety Listing	Yes
Warranty	25-Year
Gross Weight (lbs.)	19.5
Net weight (lbs.)	14.4
Length of package (Inches)	31"
Width of package (Inches)	19-1/4"
Height of package (Inches)	12"



Features

- Premium 16 & 18-gauge T-304 Stainless Steel
- 18/8 Chrome-Nickel content
- Different size single bowl with the highest quality, durability and handmade brush finish
- *MLSD* multi level sound deadening technology
- Mounting hardware and template included
- Limited lifetime warranty

Recommended accessories

Faucet	AFKPD08
Bottom Grid	768G
Chopping Board	4627
Strainer	904