

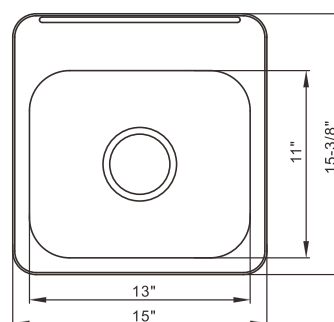
AFUR1515TS

TOPMOUNT SINGLE BOWL SINKS



Specifications

Item number	AFUR1515TS
Material	Stainless steel 304
Sink Mount Type	Top-mount
Bowl Configuration	Single
Number of bowls	1
Sink Gauge	20
Manufacturer Color/Finish	stainless steel brushed finish
Minimum Cabinet Size (Inches)	19"
Number of Faucet Holes	One(customizable)
Width (Inches)	15-3/8"
Length (Inches)	15"
Depth of Bowl 1 (Inches)	6"
Depth of Bowl 2 (Inches)	None
Depth of Bowl 3 (Inches)	None
Heat Resistance in Degrees F	300+
Cutout Below Counter Height	6"
Cutout Width (Inches)	11-1/4"
Cutout Length (Inches)	13-1/4"
Noise Insulation	Yes
Includes Mounting Hardware	Yes
Includes Drain	No
Drain Location	Center
CUPC Safety Listing	Yes
Warranty	25-Year
Gross Weight (lbs.)	5.3
Net weight (lbs.)	3.8
Length of package (Inches)	16"
Width of package (Inches)	18-1/4"
Height of package (Inches)	6-7/8"



Features

- Premium 20-gauge T-304 Stainless Steel
- 18/8 Chrome-Nickel content
- Elegant topmount design with a handcrafted brush finish and effortless to install
- *MLSD* multi level sound deadening technology
- Mounting hardware and template included
- Limited lifetime warranty

Recommended accessories

Faucet	AFKSH01
Strainer	904