

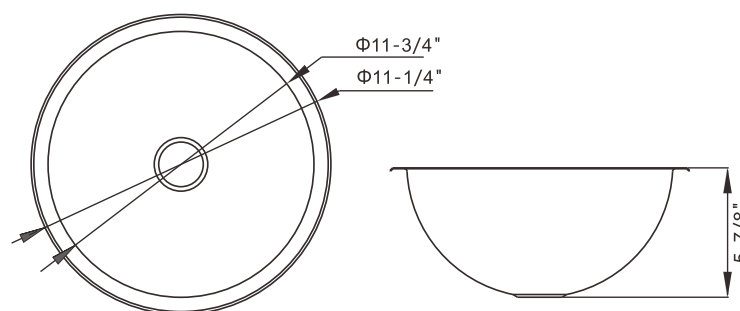
AFHC13T

BAR, PREP AREA OR
KITCHEN ISLAND SINKS



Specifications

Item number	AFHC13T
Material	Stainless steel 304
Sink Mount Type	Top-mount
Bowl Configuration	Single
Number of bowls	1
Sink Gauge	20
Manufacturer Color/Finish	stainless steel brushed finish
Minimum Cabinet Size (Inches)	15"
Number of Faucet Holes	None(customizable)
Width (Inches)	11-3/4"
Length (Inches)	11-3/4"
Depth of Bowl 1 (Inches)	5-7/8"
Depth of Bowl 2 (Inches)	None
Depth of Bowl 3 (Inches)	None
Heat Resistance in Degrees F	300+
Cutout Below Counter Height	6"
Cutout Width (Inches)	11-1/4"
Cutout Length (Inches)	11-1/4"
Noise Insulation	Yes
Includes Mounting Hardware	Yes
Includes Drain	No
Drain Location	center
CUPC Safety Listing	Yes
Warranty	25-Year
Gross Weight (lbs.)	4.4
Net weight (lbs.)	2.2
Length of package (Inches)	13-3/4"
Width of package (Inches)	13-3/4"
Height of package (Inches)	8"



Features

- Premium 20-gauge T-304 Stainless Steel
- 18/8 Chrome-Nickel content
- Small bar sinks are the perfect complement to kitchen island or prep area
- *MLSD* multi level sound deadening technology
- Limited lifetime warranty

Recommended accessories

Faucet	AFKSH04
Strainer	601