

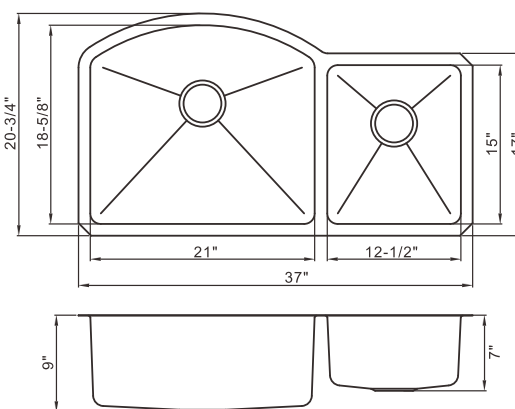
AF2R3721UL

AFA DIVIDE EXCLUSIVE TO AFA
UNDERMOUNT SINKS



Specifications

Item number	AF2R3721UL
Material	Stainless steel 304
Sink Mount Type	under-mount
Bowl Configuration	offset
Number of bowls	2
Sink Gauge	16
Manufacturer Color/Finish	stainless steel brushed finish
Minimum Cabinet Size (Inches)	41"
Number of Faucet Holes	None(customizable)
Width (Inches)	20-3/4"
Length (Inches)	37"
Depth of Bowl 1 (Inches)	9"
Depth of Bowl 2 (Inches)	7"
Depth of Bowl 3 (Inches)	None
Heat Resistance in Degrees F	600+
Cutout Below Counter Height	9"
Cutout Width (Inches)	18-1/2"
Cutout Length (Inches)	34-3/4"
Noise Insulation	Yes
Includes Mounting Hardware	Yes
Includes Drain	No
Drain Location	offset
CUPC Safety Listing	Yes
Warranty	25-Year
Gross Weight (lbs.)	28
Net weight (lbs.)	21.3
Length of package (Inches)	38"
Width of package (Inches)	21-7/8"
Height of package (Inches)	10"



Features

- Premium 16-gauge T-304 Stainless Steel
- 18/8 Chrome-Nickel content
- AFA DIVIDE 1 INCH(25MM) bowl radius
- *MLSD* multi level sound deadening technology
- Mounting hardware and template included
- Limited lifetime warranty

Recommended accessories

Faucet	AFKPD02
Bottom Grid	590BG
Chopping Board	4427
Strainer	904