

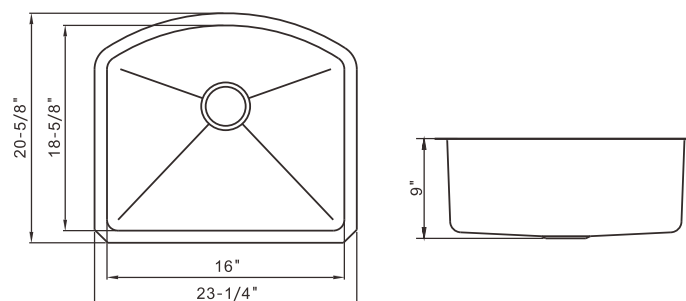
## AF2R2421US

1 INCH(25MM) RADIUS CORNER  
UNDERMOUNT SINGLE BOWL SINKS



### Specifications

Item number	AF2R2421US
Material	Stainless steel 304
Sink Mount Type	under-mount
Bowl Configuration	Single
Number of bowls	1
Sink Gauge	16
Manufacturer Color/Finish	stainless steel brushed finish
Minimum Cabinet Size (Inches)	28"
Number of Faucet Holes	None(customizable)
Width (Inches)	20-5/8"
Length (Inches)	23-1/4"
Depth of Bowl 1 (Inches)	9"
Depth of Bowl 2 (Inches)	None
Depth of Bowl 3 (Inches)	None
Heat Resistance in Degrees F	600+
Cutout Below Counter Height	9"
Cutout Width (Inches)	18-5/8"
Cutout Length (Inches)	21"
Noise Insulation	Yes
Includes Mounting Hardware	Yes
Includes Drain	No
Drain Location	offset
CUPC Safety Listing	Yes
Warranty	25-Year
Gross Weight (lbs.)	19
Net weight (lbs.)	14.7
Length of package (Inches)	24-1/4"
Width of package (Inches)	21-7/8"
Height of package (Inches)	10"



### Features

- Premium 16-gauge T-304 Stainless Steel
- 18/8 Chrome-Nickel content
- 1 INCH(25mm) bowl radius with drain grooves and handcrafted brush finish
- *MLSD* multi level sound deadening technology
- Mounting hardware and template included
- Limited lifetime warranty

### Recommended accessories

Faucet	AFKSH01
Bottom Grid	590BG
Chopping Board	5327
Strainer	904