

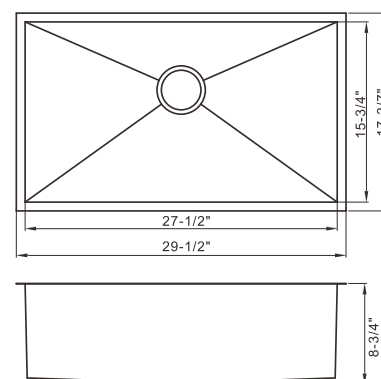
AF0R3017US

ZERO RADIUS UNDERMOUNT SINKS



Specifications

Item number	AF0R3017US
Material	Stainless steel 304
Sink Mount Type	under-mount
Bowl Configuration	single
Number of bowls	1
Sink Gauge	18
Manufacturer Color/Finish	stainless steel brushed finish
Minimum Cabinet Size (Inches)	34"
Number of Faucet Holes	None(customizable)
Width (Inches)	17-3/8"
Length (Inches)	29-1/2"
Depth of Bowl 1 (Inches)	8-5/8"
Depth of Bowl 2 (Inches)	8-5/8"
Depth of Bowl 3 (Inches)	None
Heat Resistance in Degrees F	600+
Cutout Below Counter Height	9"
Cutout Width (Inches)	15-3/4"
Cutout Length (Inches)	27-1/2"
Noise Insulation	Yes
Includes Mounting Hardware	Yes
Includes Drain	No
Drain Location	offset
CUPC Safety Listing	Yes
Warranty	25-Year
Gross Weight (lbs.)	22
Net weight (lbs.)	17.5
Length of package (Inches)	18-7/8"
Width of package (Inches)	18-1/2"
Height of package (Inches)	9-7/8"



Recommended accessories

Faucet	AFKPD03
Bottom Grid	7545G
Chopping Board	4427
Strainer	904

Features

- Premium 16 & 18-gauge T-304 Stainless Steel
- 18/8 Chrome-Nickel content
- Zero radius corners with special drain grooves and perfect a finish
- *MLSD* multi level sound deadening technology
- Mounting hardware and template included
- Limited lifetime warranty